

THIS DRAWING IS UNPUBLISHED.

RELEASED FOR PUBLICATION

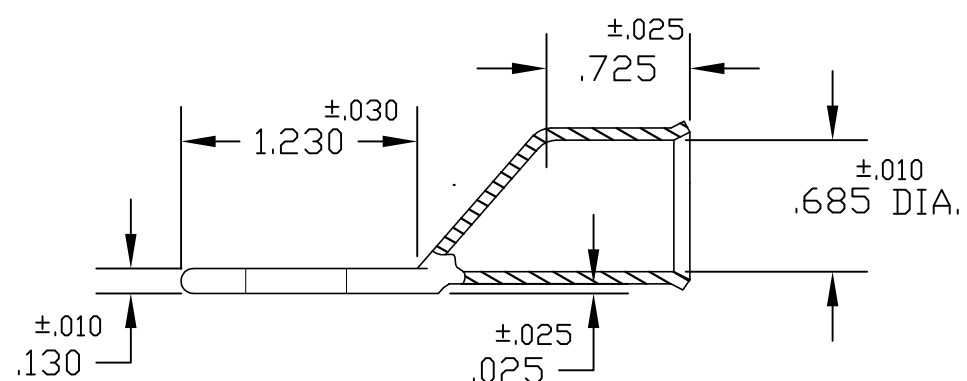
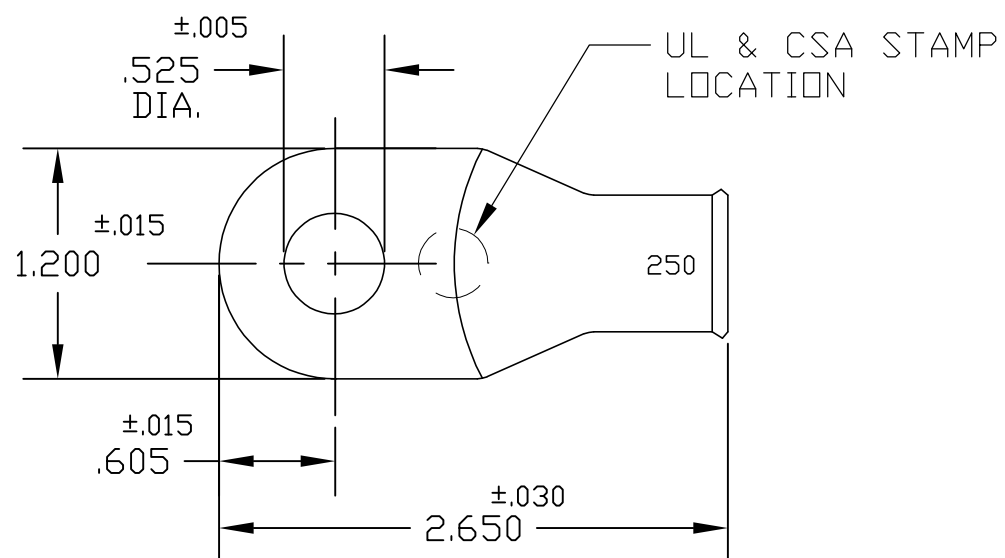
© COPYRIGHT BY TYCO ELECTRONICS CORPORATION.

ALL RIGHTS RESERVED.

LOC G DIST 50

REVISIONS

P	LTR	DESCRIPTION	DATE	DWN	APVD
	B	REV PER ECR 07-014512	21JUN07	JR	DD



ACTIVE	250501-01	STANDARD	TIN PLATE	1526934-2
ACTIVE	250501-00	STANDARD	PLAIN	1526934-1
STATUS	AET P/N	PACKAGING	FINISH	PART NUMBER

THIS DRAWING IS A CONTROLLED DOCUMENT.		DWN D.A.A. 11/6/00	Tyco Electronics Corporation Harrisburg, PA 17105-3608	
DIMENSIONS: INCHES		CHK H.D.F. 11/6/00		
		APVD H.D.F. 11/6/00	NAME 250 MCM STANDARD TERMINAL	
TOLERANCES UNLESS OTHERWISE SPECIFIED:		PRODUCT SPEC	-	
0 PLC ± - 1 PLC ± - 2 PLC ± - 3 PLC ± - 4 PLC ± - ANGLES ± -		APPLICATION SPEC	-	
MATERIAL COPPER ASTM B-152		FINISH -	WEIGHT -	RESTRICTED TO -
		SIZE A3 CAGE CODE 00779 DRAWING NO. C-1526934		
		CUSTOMER DRAWING		SCALE 1:1 SHEET 1 OF 1 REV B